







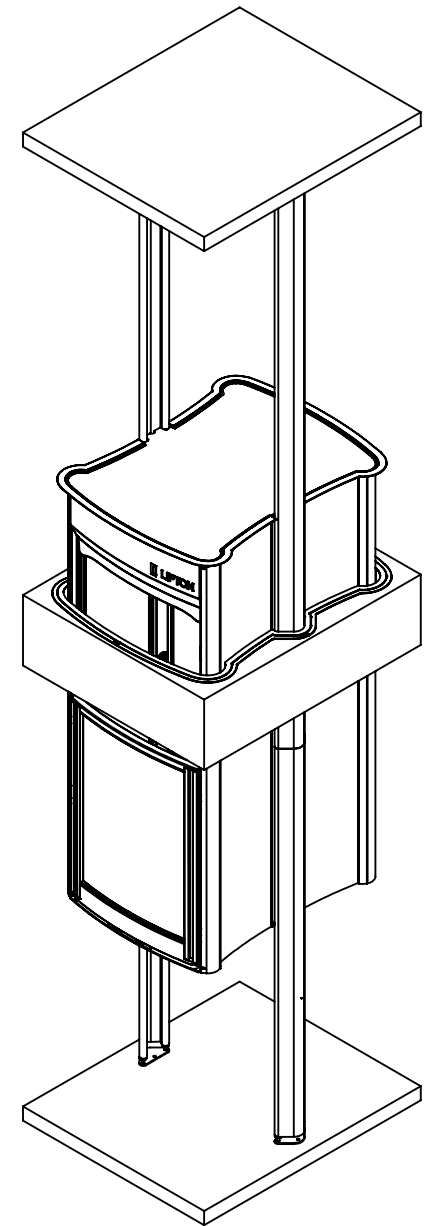


Technical Information:

Lifton Trio / Lifton Trio Thru Car

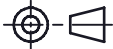
-  **DRIVE SYSTEM:**
Rope Drum, Braked Gear Motor Drive
-  **CAPACITY:**
MAX Capacity 220kg / 2-3 Persons
-  **TRAVEL:**
Up to 4000mm
-  **NO of FLOORS:**
2 Maximum
-  **SUPPLY VOLTAGE:**
240v 1PH 50HZ
-  **RUNNING CURRENT:**
3.2 AMP
-  **STARTING CURRENT:**
4.0 AMP
-  **STANDARD COLOUR:**
Off White / Cream (RAL 7038)
(Other colours available)

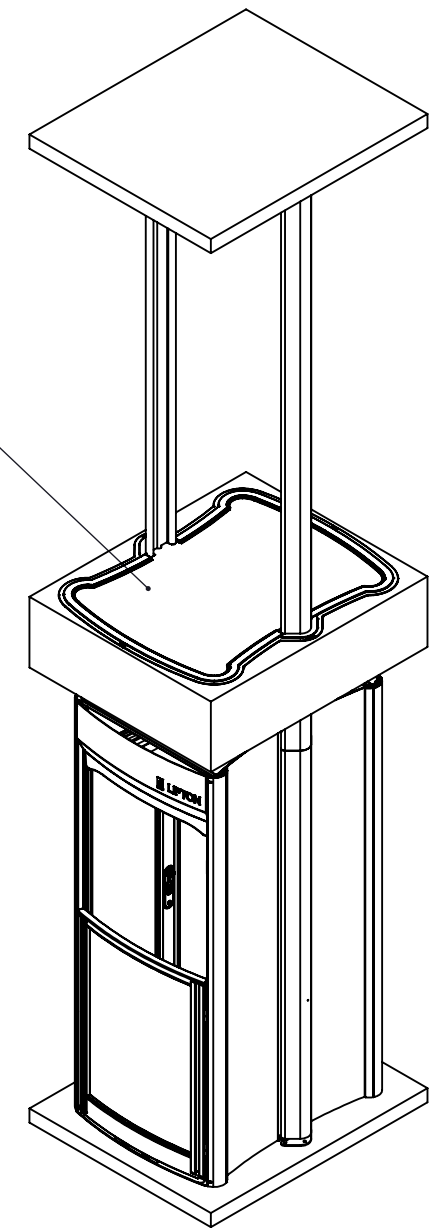
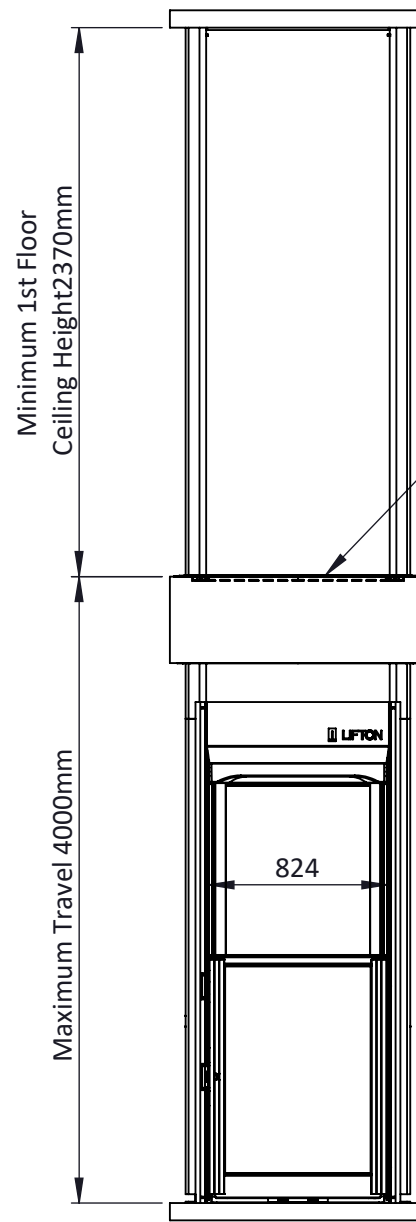
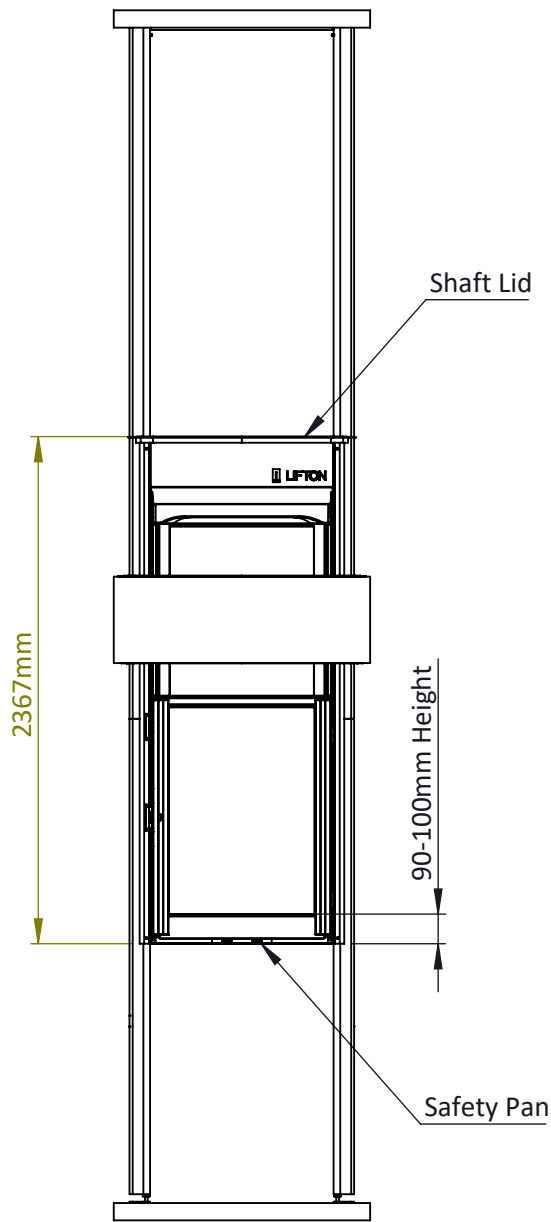


Lifton Trio



LIFTON

© Stiltz Ltd. 2016		TITLE Lifton Trio Lift Installation	
Drawn JMG	Date 11/2016		
 DIMENSIONS IN MM UNLESS OTHERWISE NOTED THIRD ANGLE PROJECTION - AS 1100		A4	Dwg No
		SCALE:	



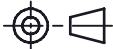
Standard Application

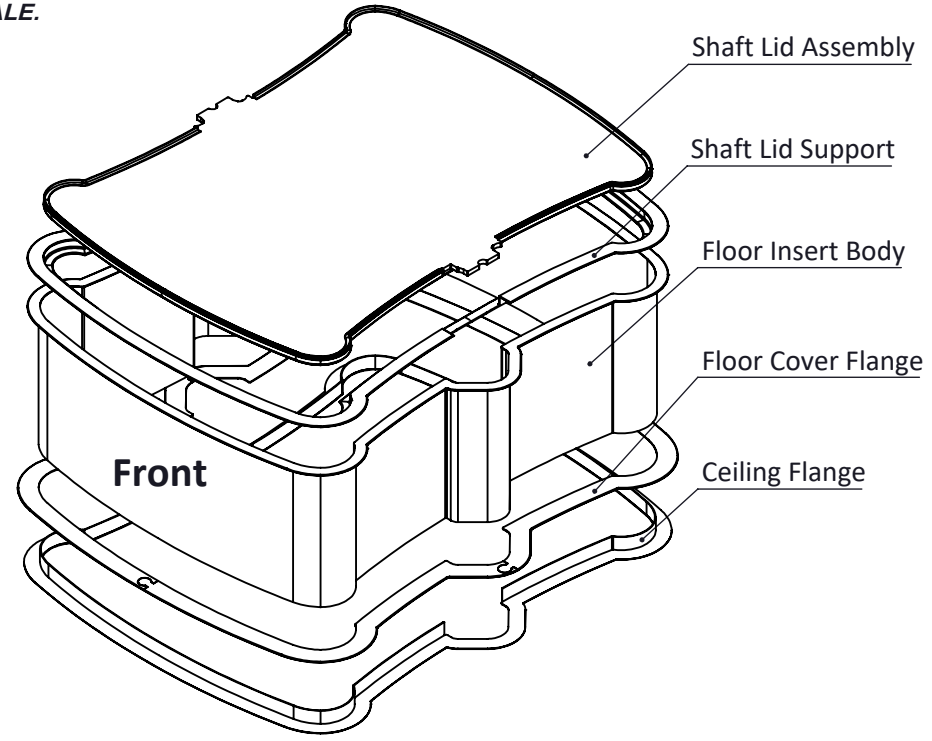
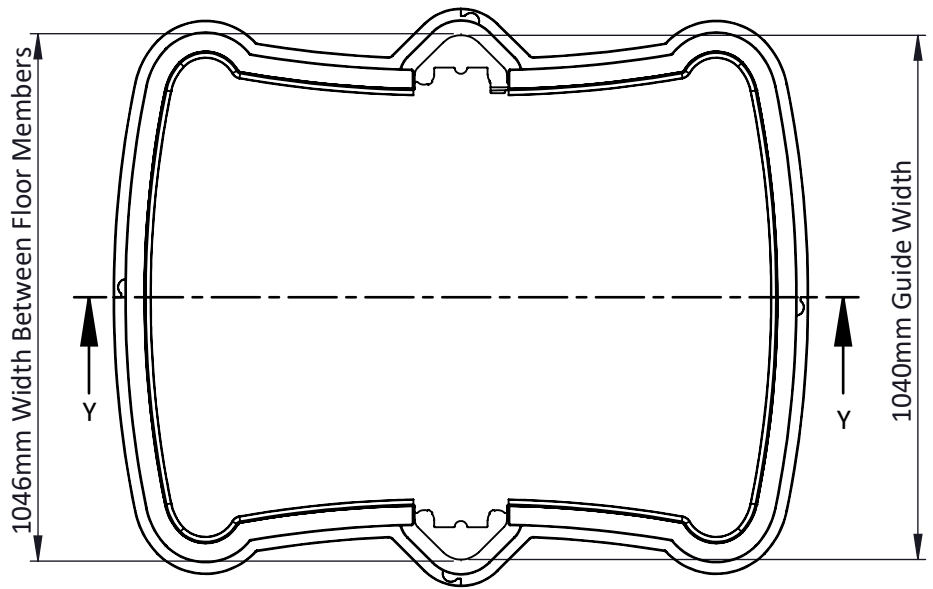


Lifton Trio

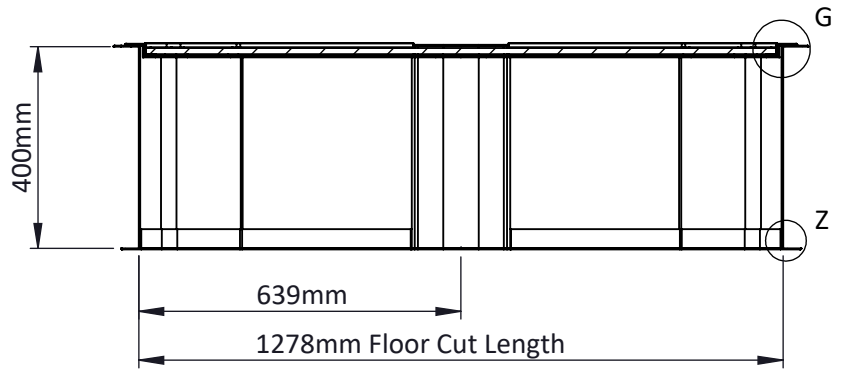


LIFTON

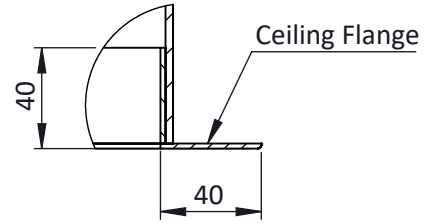
©	Stiltz Ltd. 2016	TITLE	Lifton Trio Lift Installation	
Drawn	JMG	Date	11/2016	
 DIMENSIONS IN MM UNLESS OTHERWISE NOTED THIRD ANGLE PROJECTION - AS 1100		A4	Dwg No	
			SCALE:	



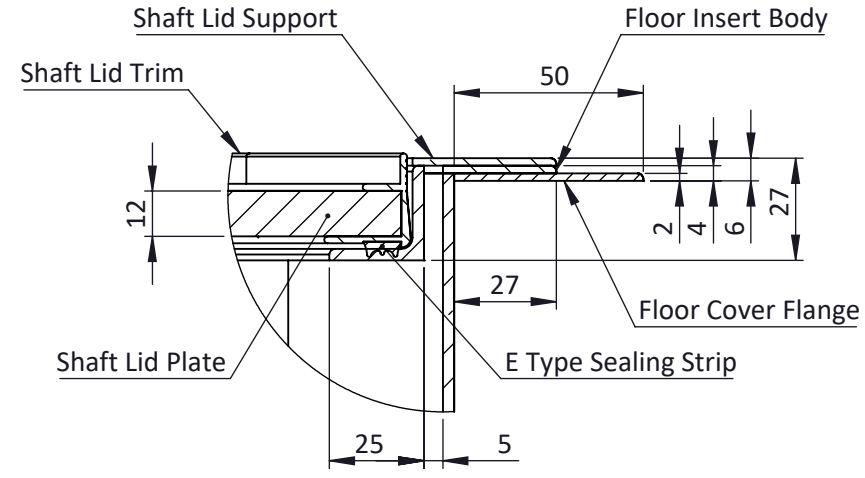
Explode View



SECTION Y-Y



DETAIL Z

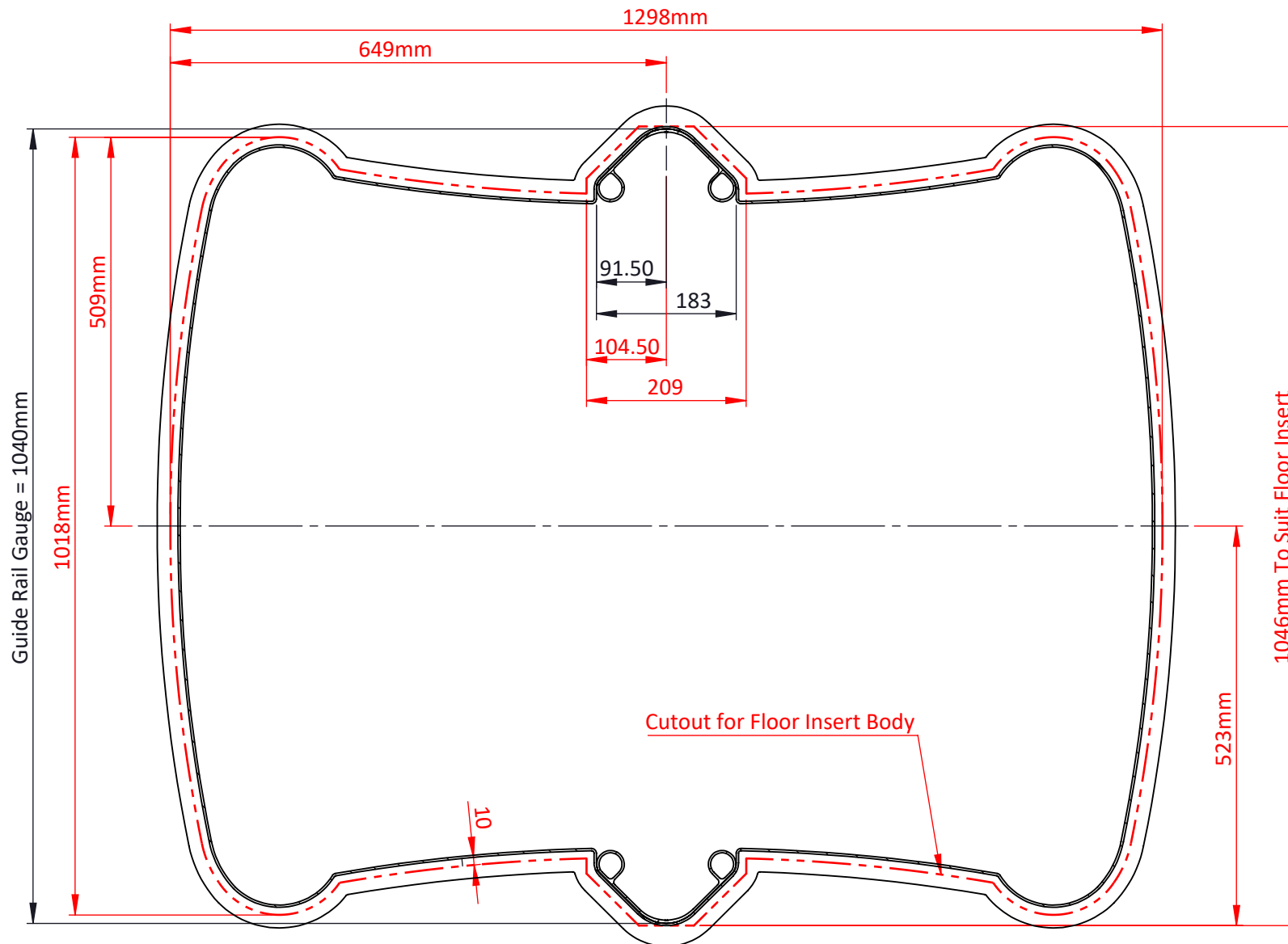


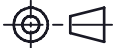
DETAIL G



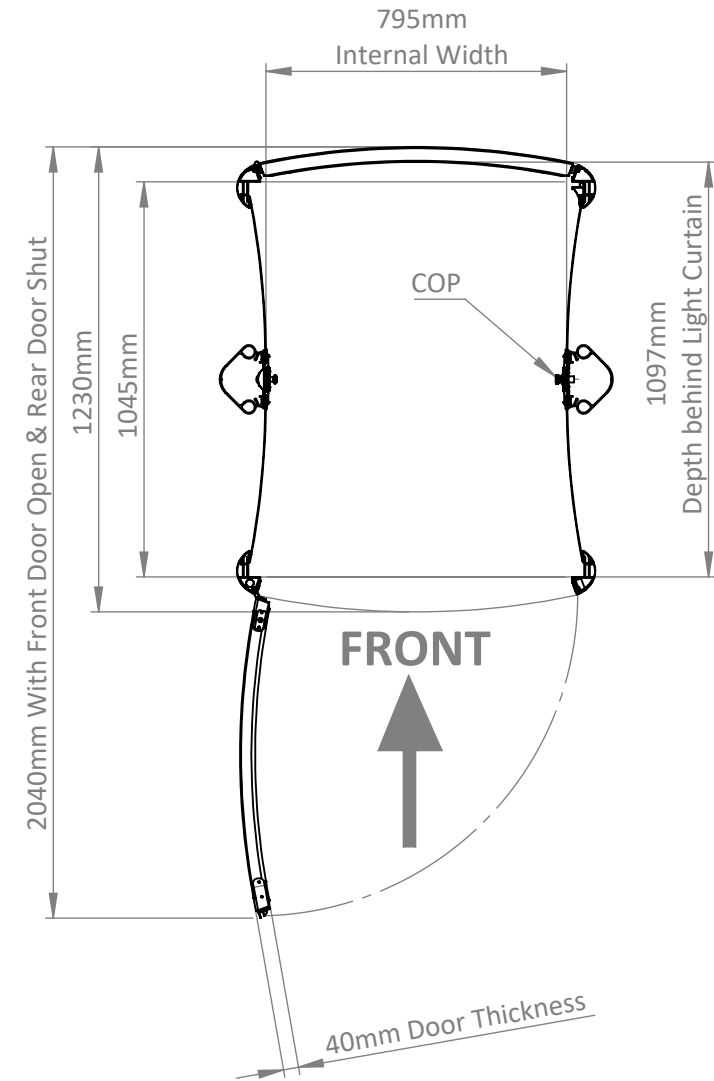
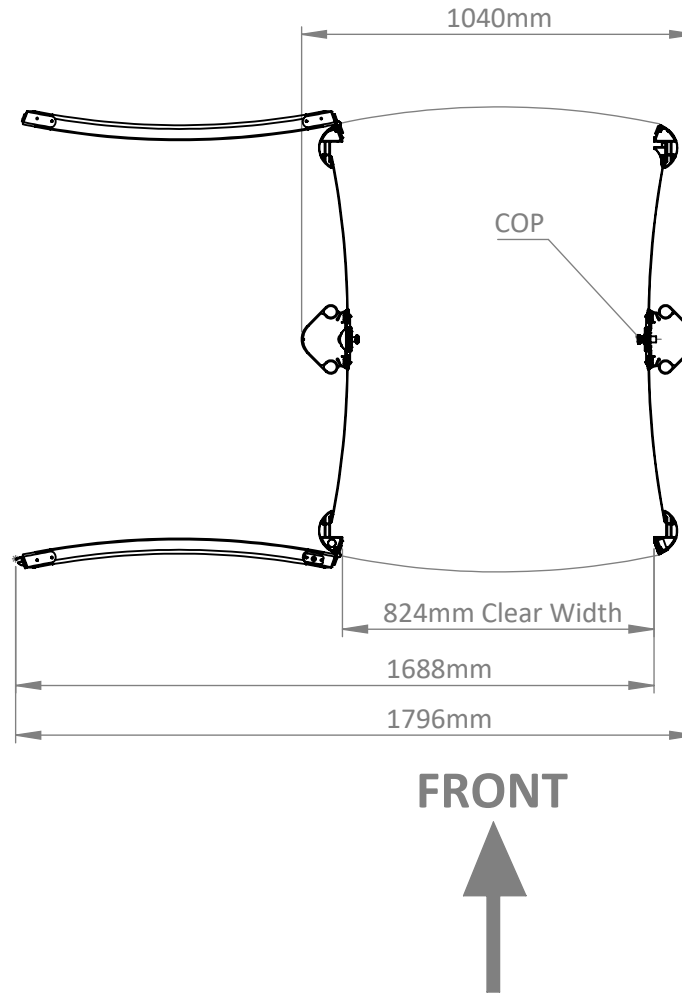
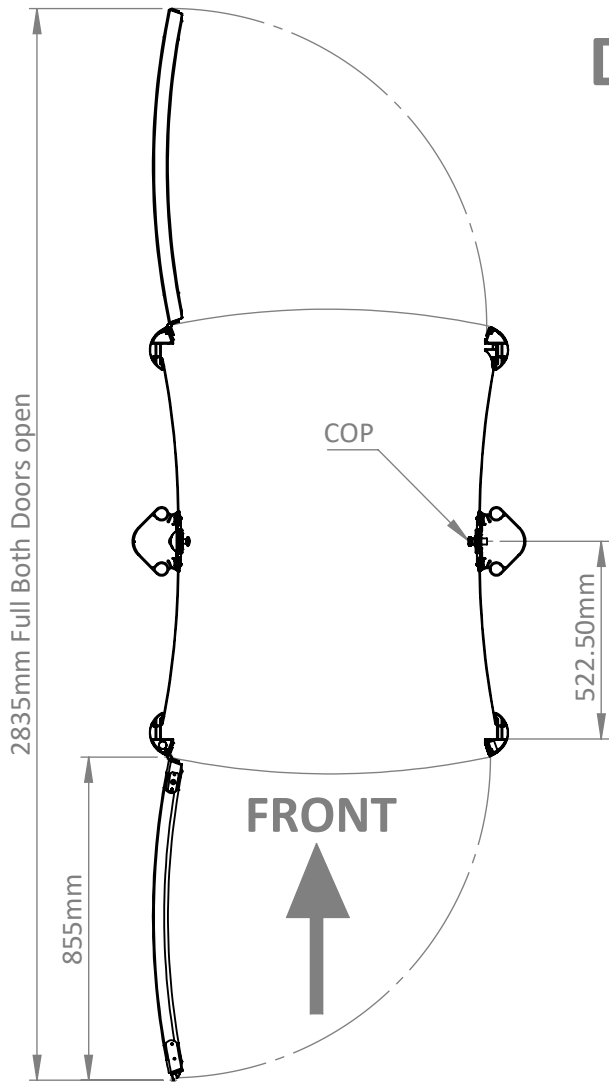
© Stiltz Ltd. 2016		TITLE Lifton Trio Floor Insert Body & Shaft Lid Assembly	
Drawn JMG	Date 11/2016	Dwg No	
THIRD ANGLE PROJECTION - AS 1100		SCALE:	
DIMENSIONS IN MM UNLESS OTHERWISE NOTED		A4	

Template Tol. +0 / -3

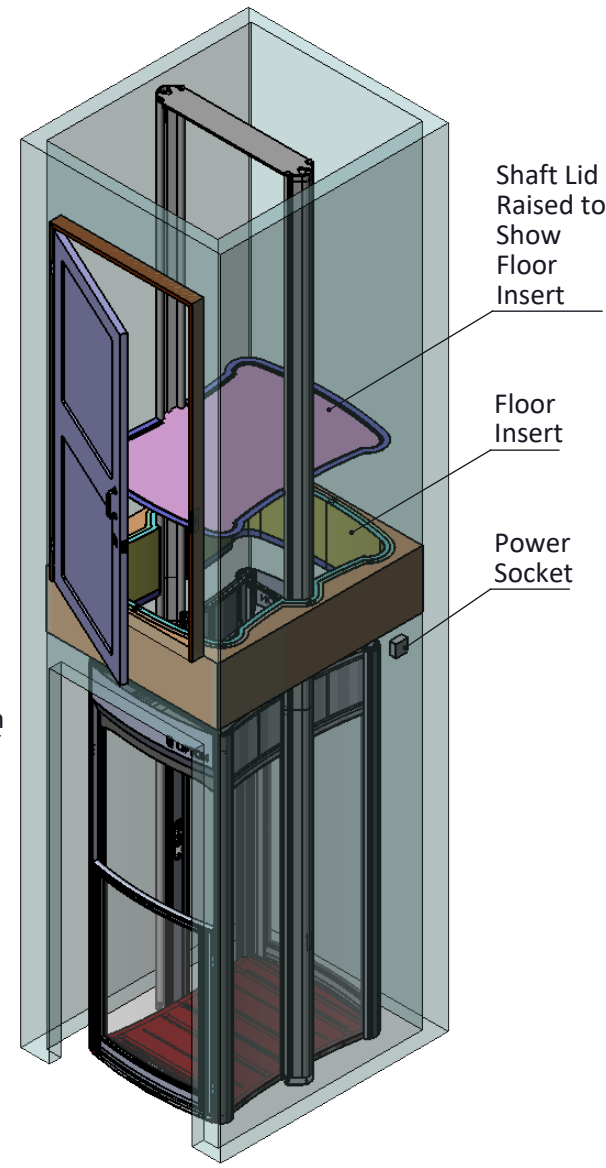
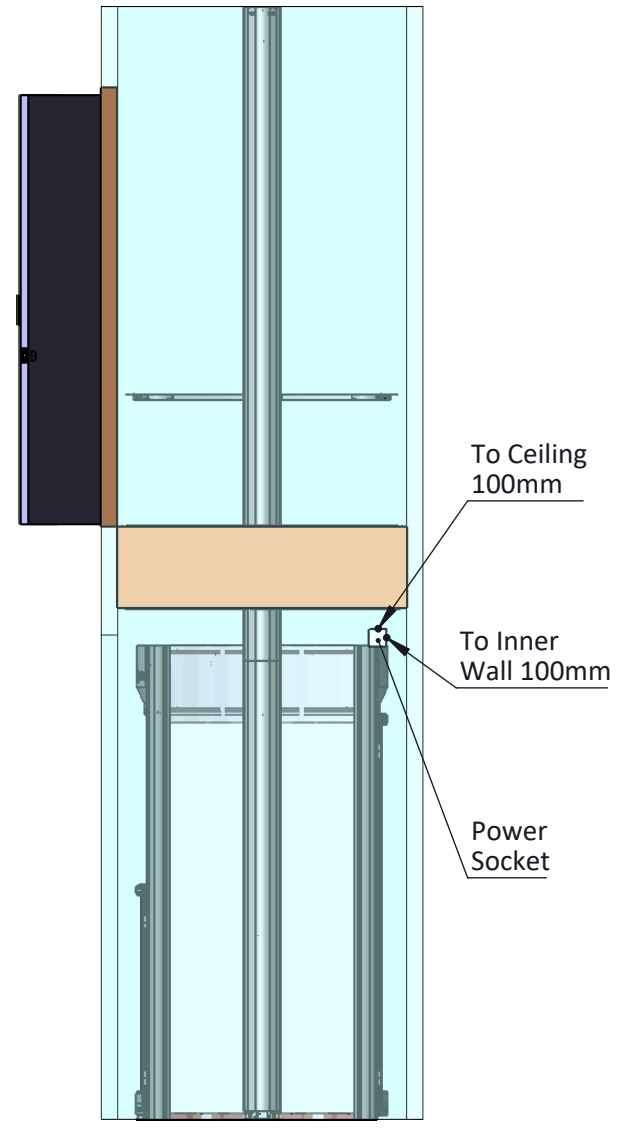
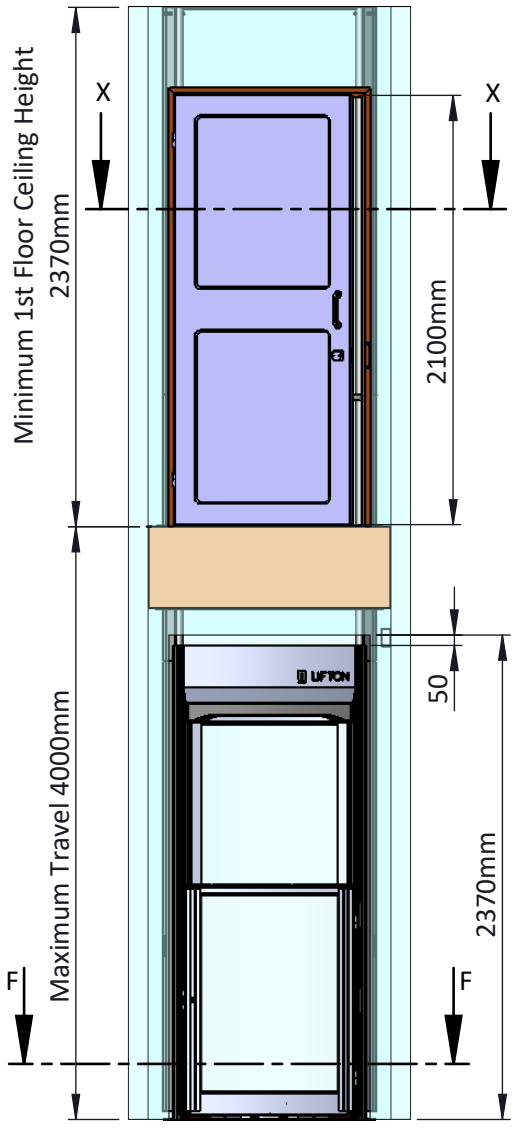
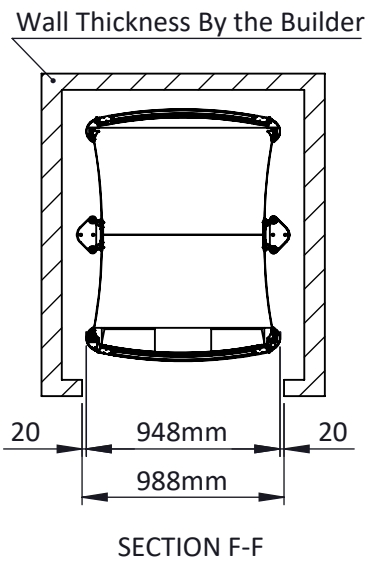
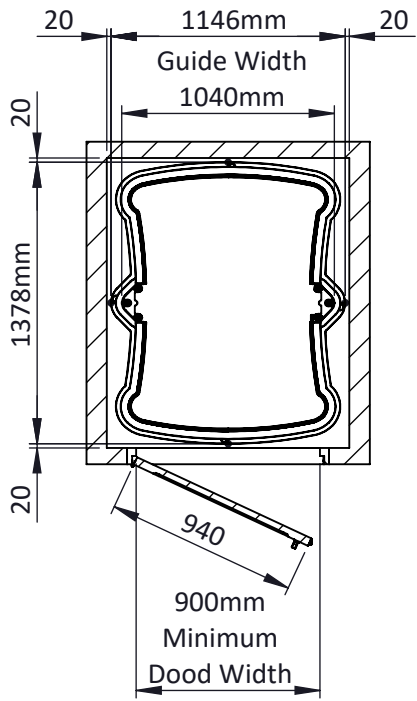


© Stiltz Ltd. 2016	TITLE
Drawn JMG	Lifton Trio Floor Insert Cutout Sizes
Date 11/2016	
 DIMENSIONS IN MM UNLESS OTHERWISE NOTED	A4
THIRD ANGLE PROJECTION - AS 1100	Dwg No
	SCALE:

Doors can operate in RH and LH Positions



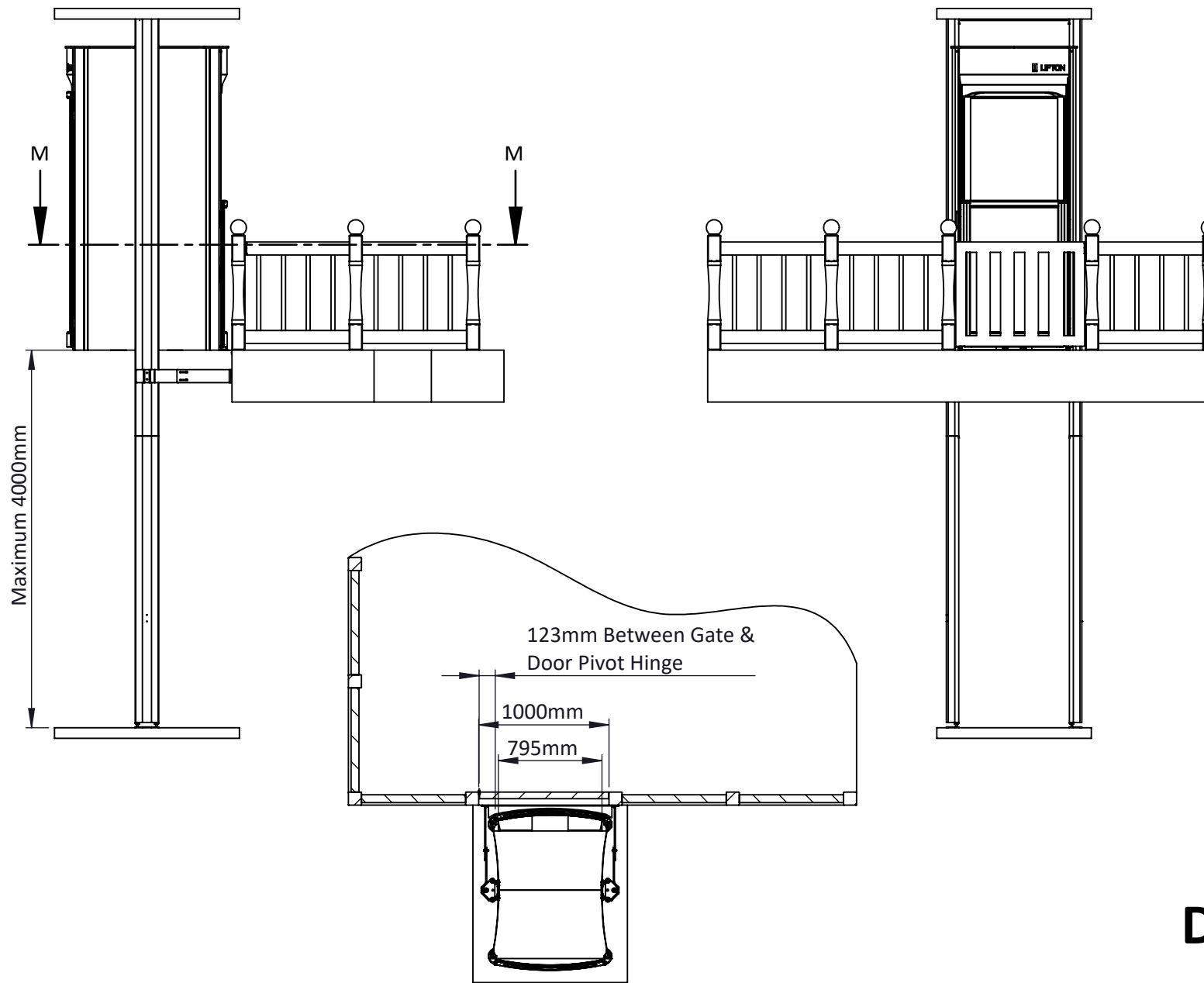
Bottom Door & Frame removed For Lift Installation



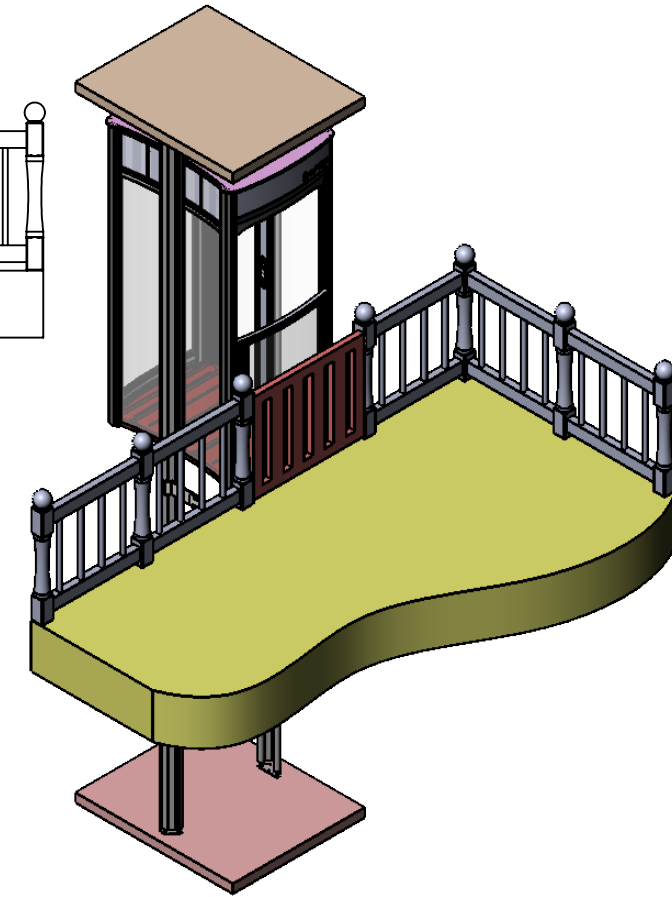
Shaft Application



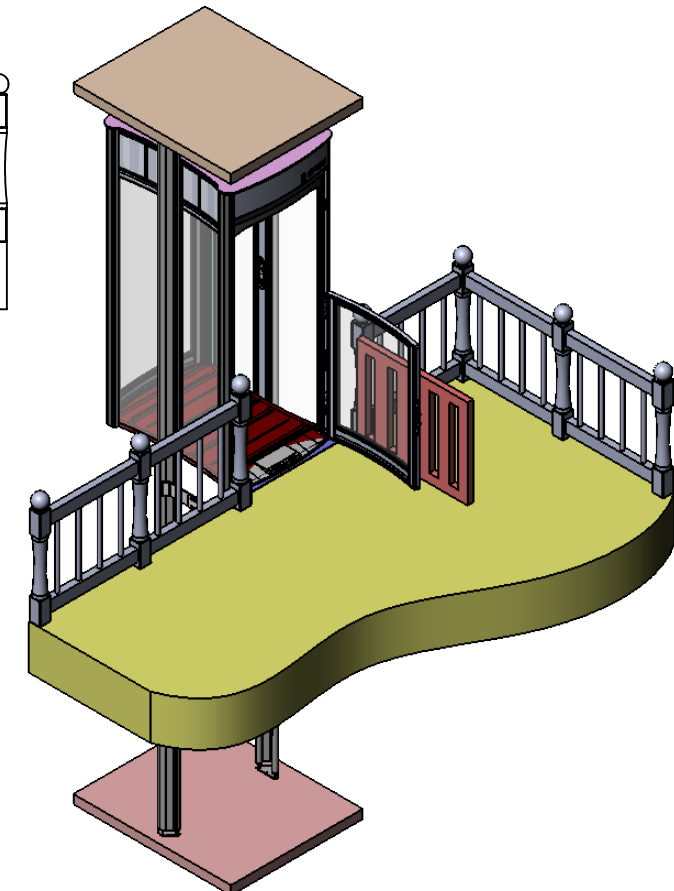
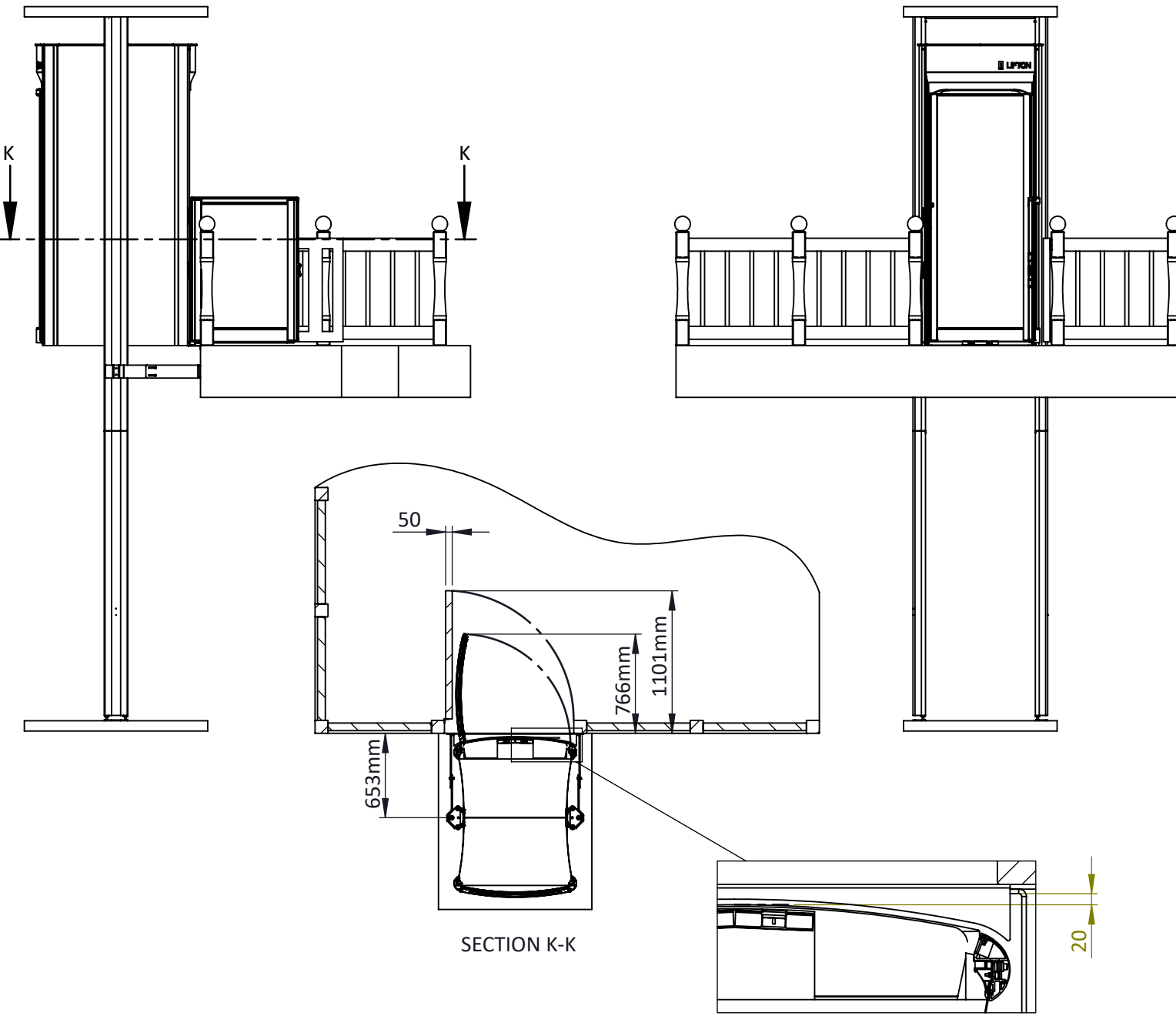
© Stiltz Ltd. 2016	TITLE Lifton Trio Shaft Information	
Drawn JMG	Date 11/2016	
THIRD ANGLE PROJECTION - AS 1100		DIMENSIONS IN MM UNLESS OTHERWISE NOTED
A4	Dwg No	SCALE:



SECTION M-M



Door & Gate Close



Door & Gate Open

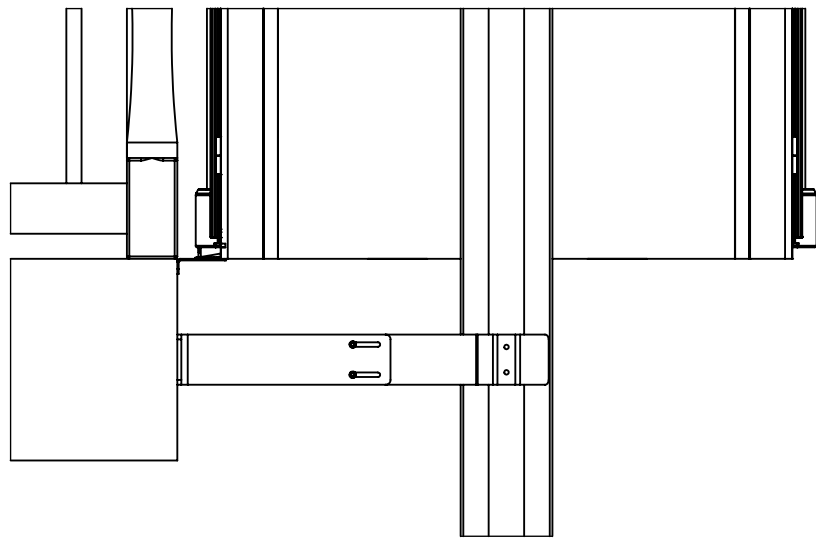


Lifton Trio



LIFTON

© Stiltz Ltd. 2016		TITLE Lifton Trio Lift Void Application	
Drawn JMG	Date 11/20-16		
THIRD ANGLE PROJECTION - AS 1100		DIMENSIONS IN MM UNLESS OTHERWISE NOTED	
		A4	Dwg No
		SCALE:	



M8 Short Head Cap Screw
Bolted to Wall Mounting Bracket

M8 CSK bolted to Wall

Wall Mounting Bracket

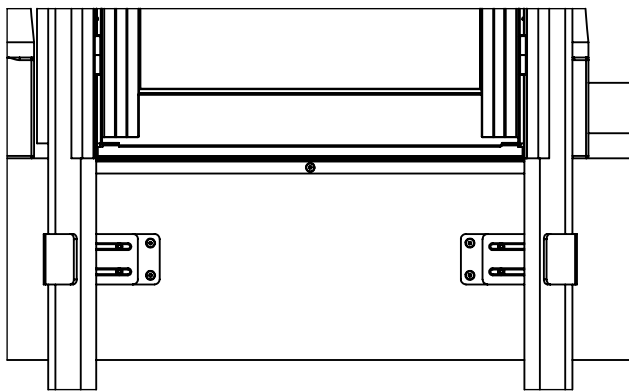
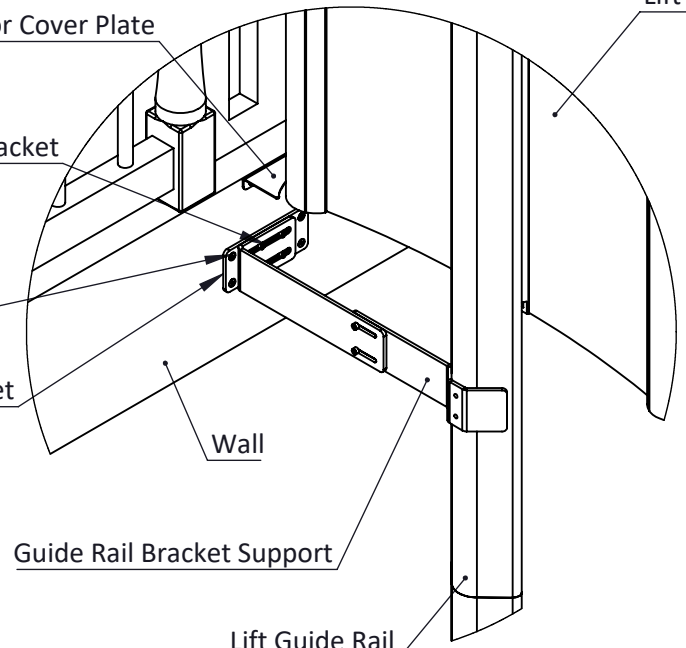
Floor Cover Plate

Wall

Guide Rail Bracket Support

Lift Guide Rail

Lift Body



1040mm Guide Width

12

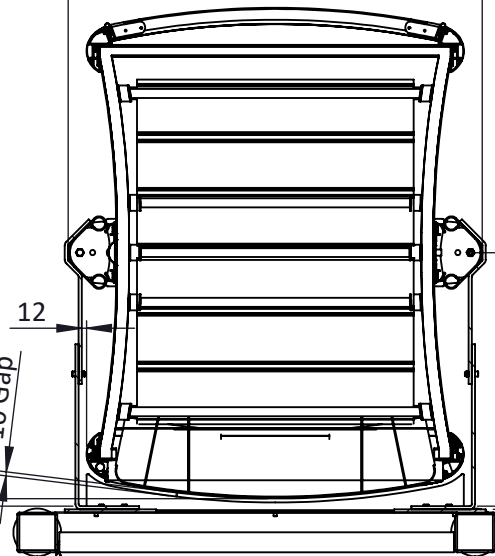
20

10 Gap

653mm

8

16



Lifton Trio



LIFTON

©	Stiltz Ltd.	2016	TITLE	Lifton Trio Lift Void Bolting Arrangement	
Drawn	JMG	Date	11/2016	A4	Dwg No
DIMENSIONS IN MM UNLESS OTHERWISE NOTED			SCALE:		
THIRD ANGLE PROJECTION - AS 1100					