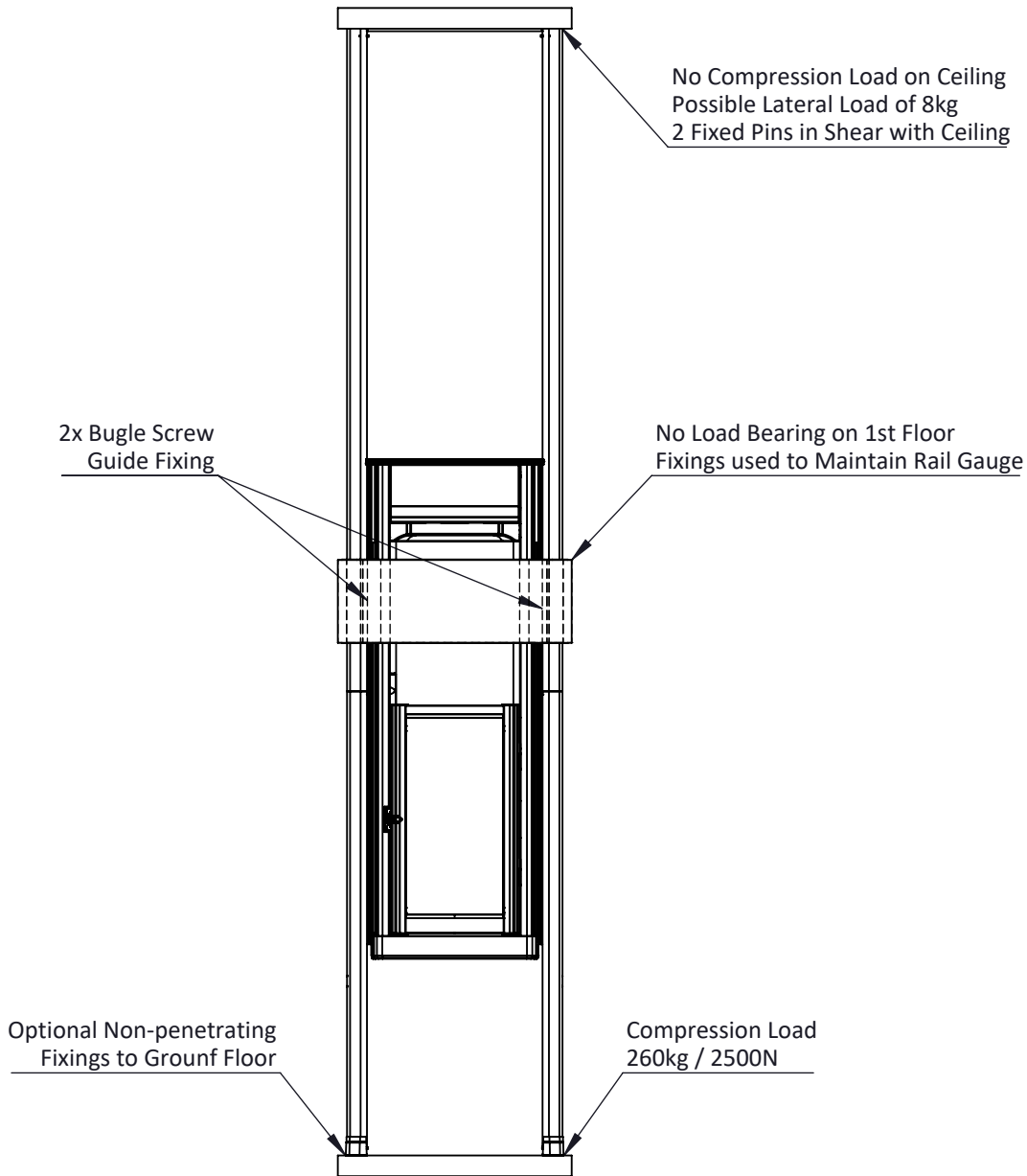










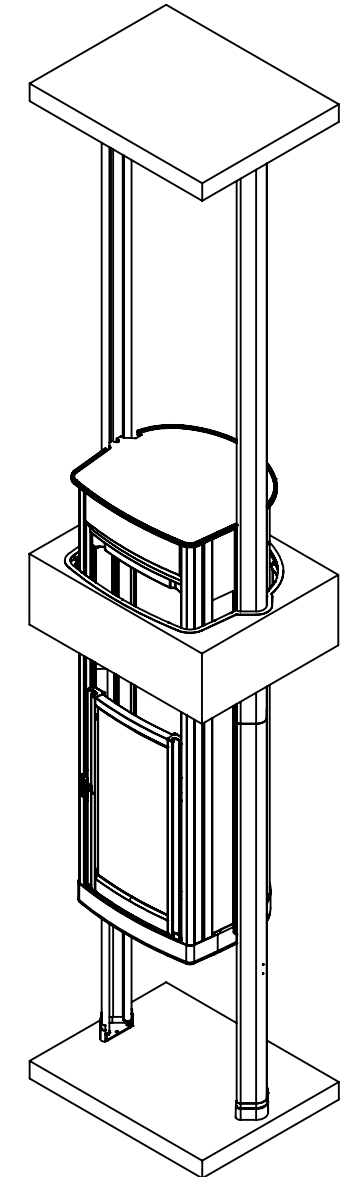
Rev	Description	Rev Date	Rev By
1	Redrawn in SW	05/2017	JMG



### Technical Information:

#### Lifton Duo

-  **DRIVE SYSTEM:**  
Rope Drum, Braked Gear Motor Drive
-  **CAPACITY:**  
MAX Capacity 170kg / 2 Persons
-  **TRAVEL:**  
Up to 4000mm
-  **NO of FLOORS:**  
2 Maximum
-  **SUPPLY VOLTAGE:**  
240v 1PH 50HZ
-  **RUNNING CURRENT:**  
2.5 AMP
-  **STARTING CURRENT:**  
3.5 AMP
-  **STANDARD COLOUR:**  
Off White / Cream (RAL 7038)  
(Other colours available)



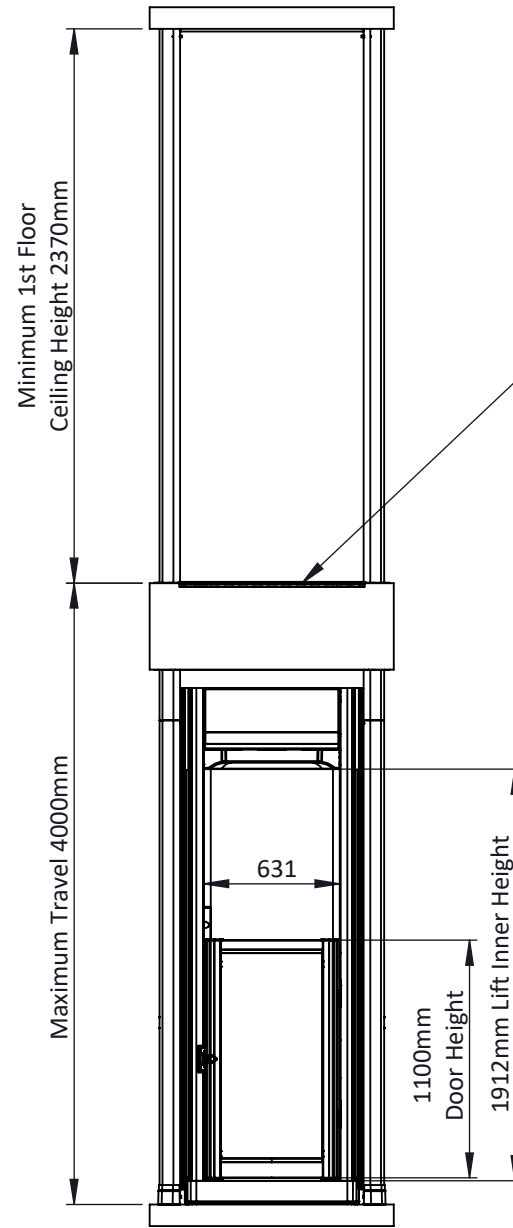
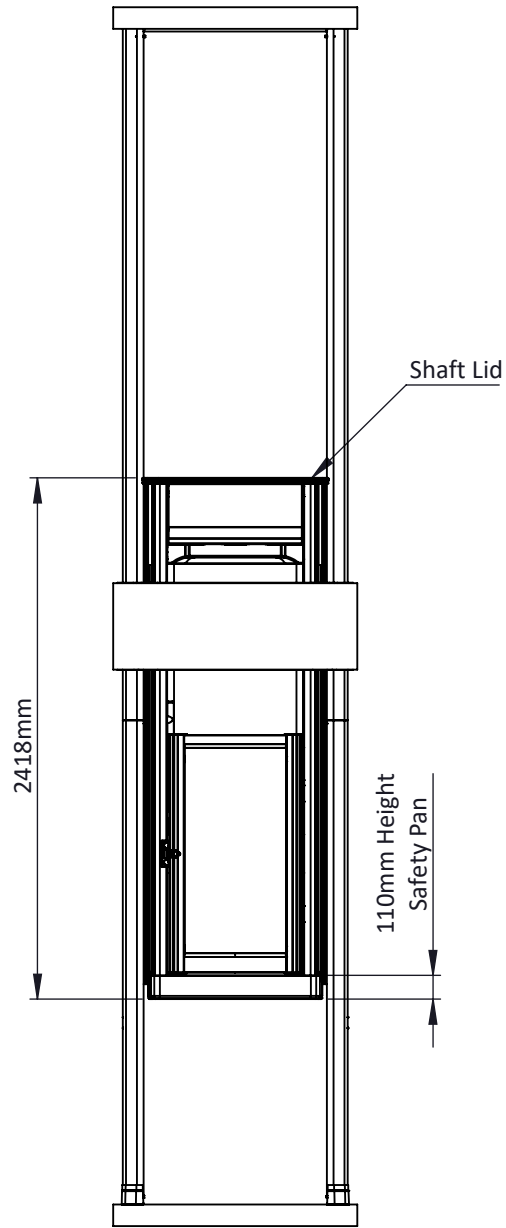
# Lifton Duo



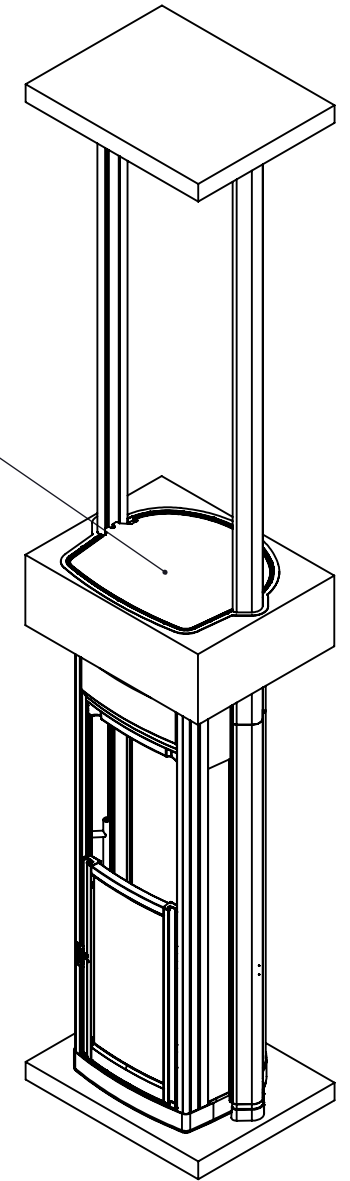
# LIFTON

© Stiltz Ltd. 2017		TITLE Lifton Duo Lift Installation	
Drawn JMG	Date 05/2017		
THIRD ANGLE PROJECTION - AS 1100		A4	Rev 1
DIMENSIONS IN MM UNLESS OTHERWISE NOTED		Dwg No	SCALE:

Rev	Description	Rev Date	Rev By
1	Redrawn in SW	05/2017	JMG



Shaft Lid



**Standard Application**



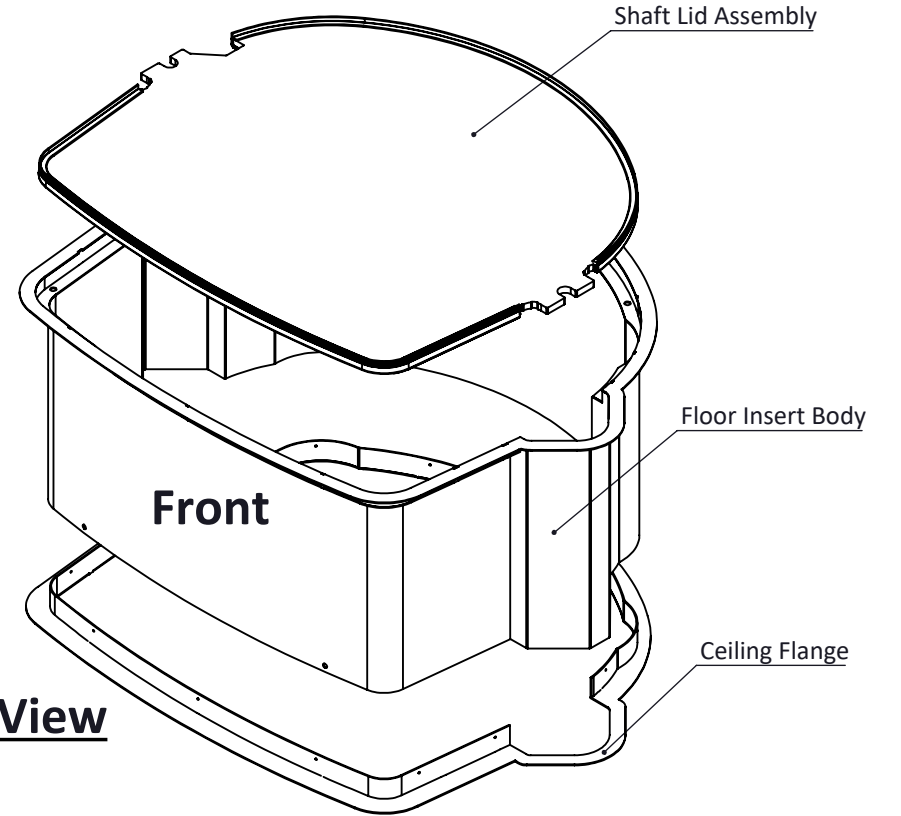
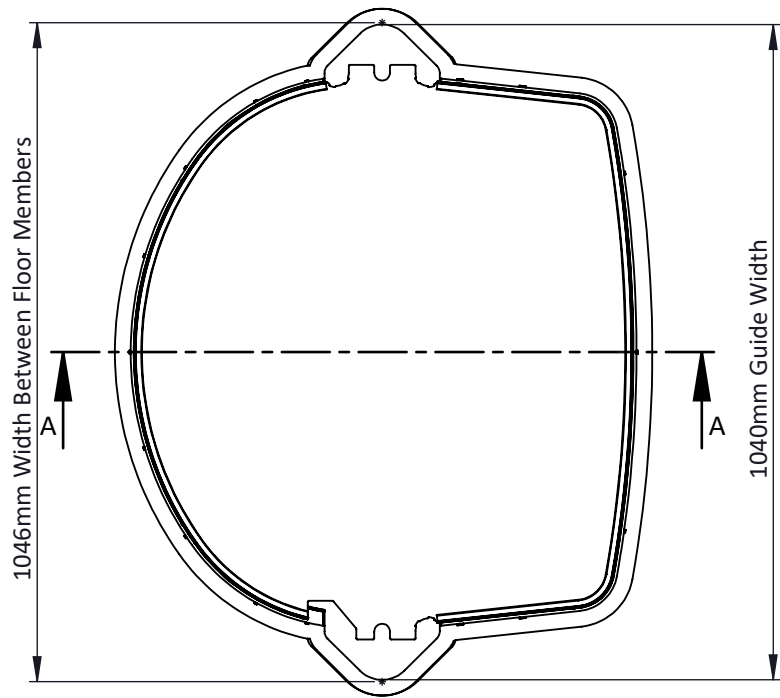
**Lifton Duo**



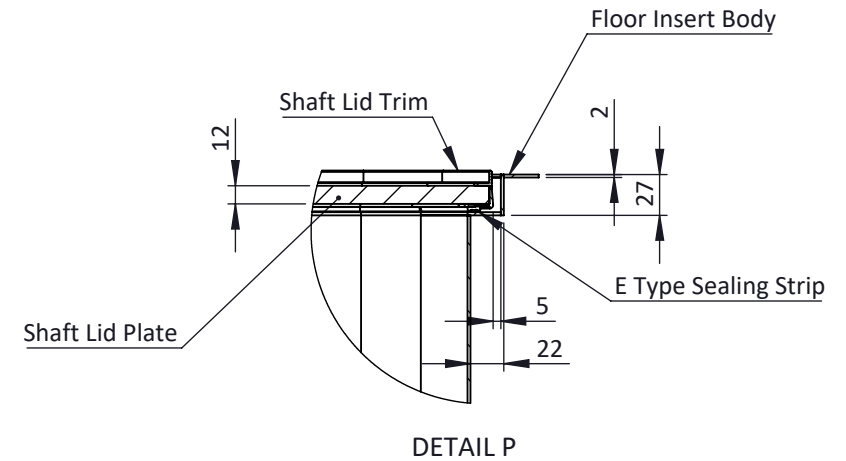
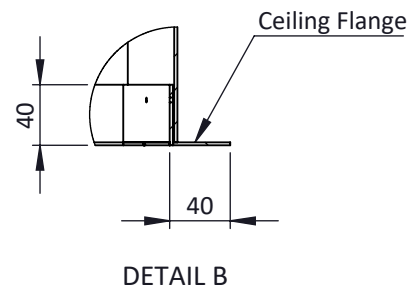
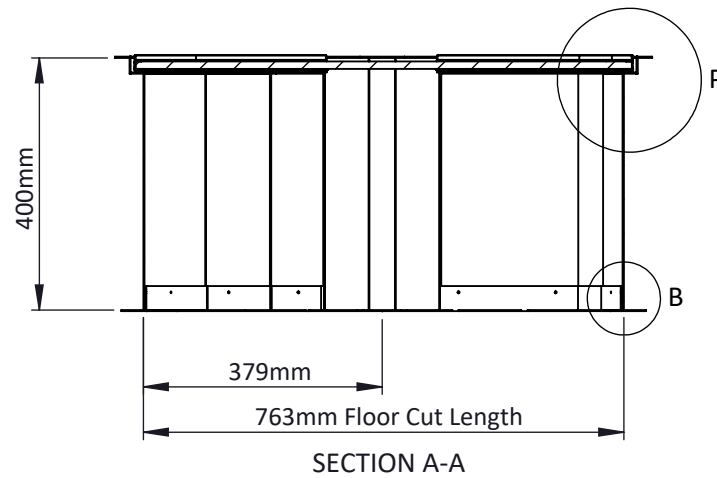
**LIFTON**

© Stiltz Ltd. 2017	TITLE Lifton Duo Lift Installation	
Drawn JMG	Date 05/2017	
DIMENSIONS IN MM UNLESS OTHERWISE NOTED		A4
THIRD ANGLE PROJECTION - AS 1100		Dwg No
		Rev
SCALE:		1

Rev	Description	Rev Date	Rev By
1	Redrawn in SW	05/2017	JMG



**Explode View**



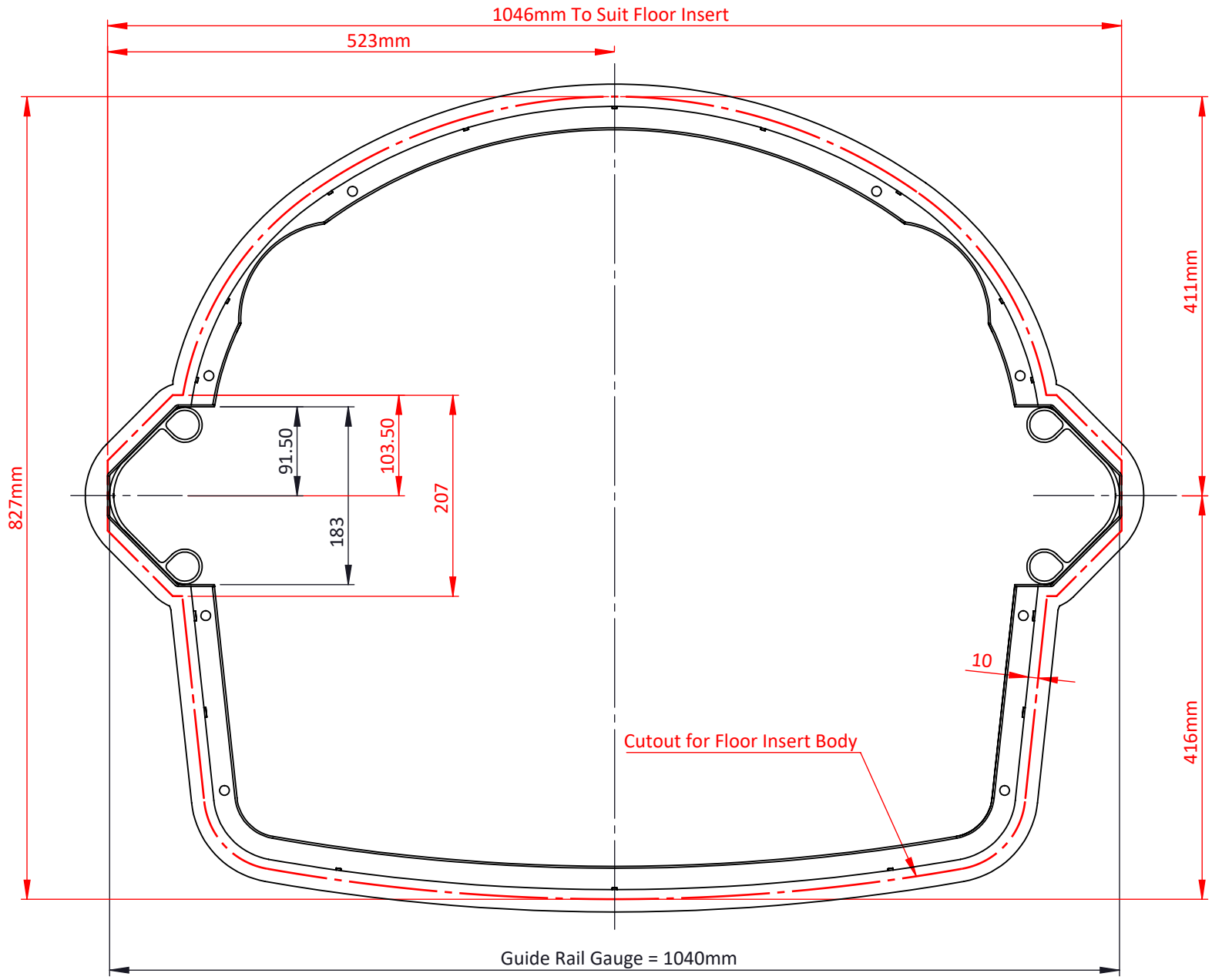
**Lifton Duo**



**LIFTON**

©	Stiltz Ltd.	2017	TITLE	Lifton Duo Floor Insert Body & Shaft Lid Assembly	
Drawn	JMG	Date	05/2017	Dwg No	Rev
THIRD ANGLE PROJECTION - AS 1100			A4		1
DIMENSIONS IN MM UNLESS OTHERWISE NOTED			SCALE:		

Rev	Description	Rev Date	Rev By
1	Redrawn in SW	05/2017	JMG



**Template Tol.  
+3 / -1**



**Lifton Duo**



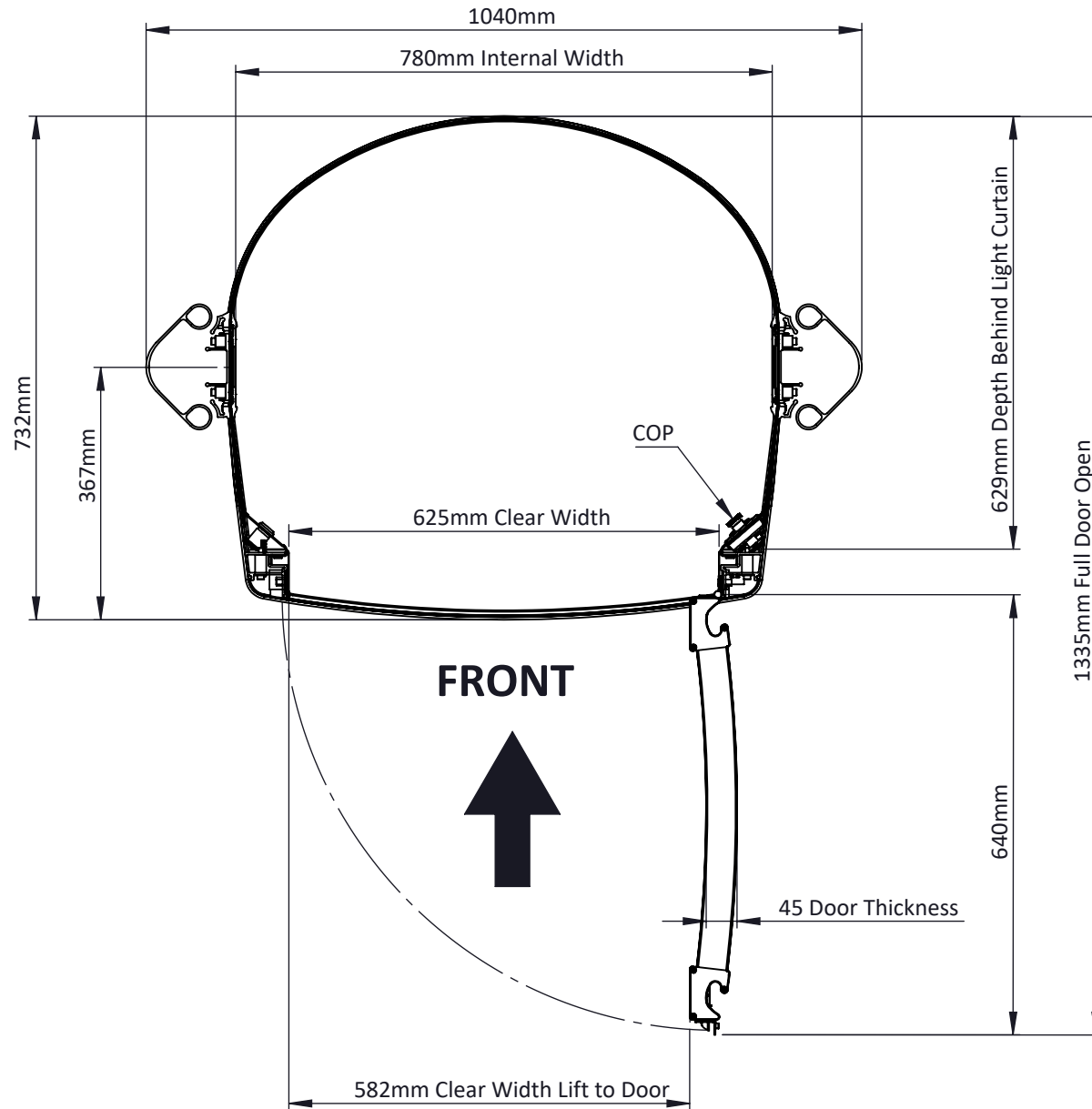
**LIFTON**

©	Stiltz Ltd.	2017
Drawn	JMG	Date 05/2017
DIMENSIONS IN MM UNLESS OTHERWISE NOTED		
THIRD ANGLE PROJECTION - AS 1100		

TITLE Lifton Duo Floor Insert Cutout Sizes		
<b>A4</b>	Dwg No	Rev
SCALE:		1

Rev	Description	Rev Date	Rev By
1	Redrawn in SW	05/2017	JMG

## Doors can operate in RH and LH Positions



Lifton Duo

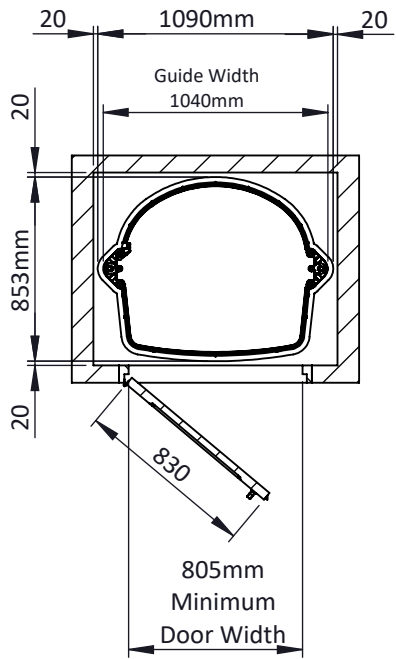


LIFTON

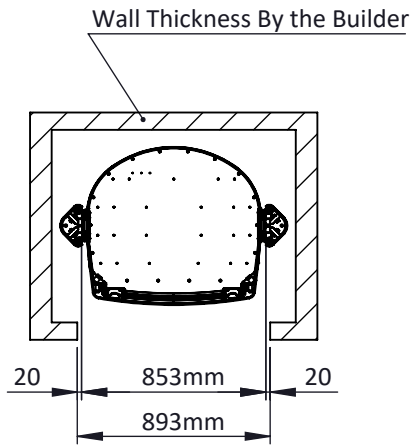
©	Stiltz Ltd.	2017	TITLE	Lifton Duo Lift Car Configuration	
Drawn	JMG	Date	05/2017		
 THIRD ANGLE PROJECTION - AS 1100			DIMENSIONS IN MM UNLESS OTHERWISE NOTED		
			<b>A4</b>	Dwg No	Rev
			SCALE:		1

Rev	Description	Rev Date	Rev By
1	Redrawn in SW	05/2017	JMG

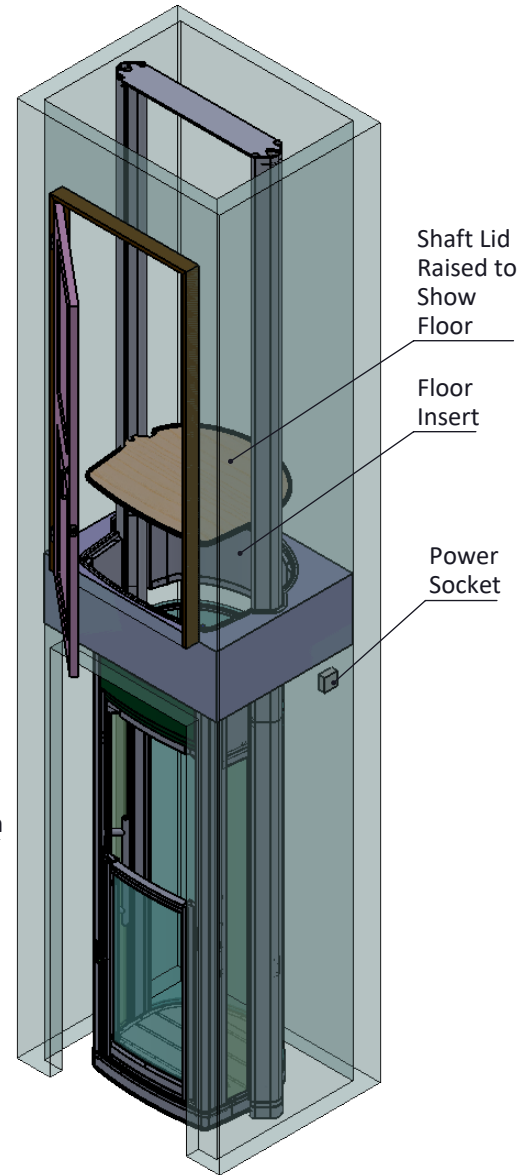
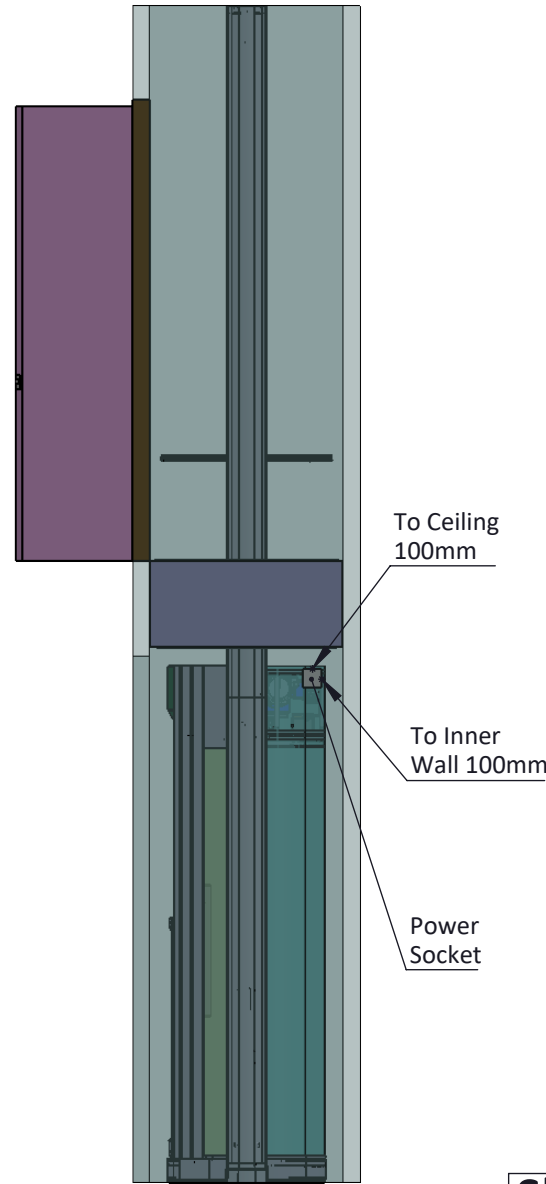
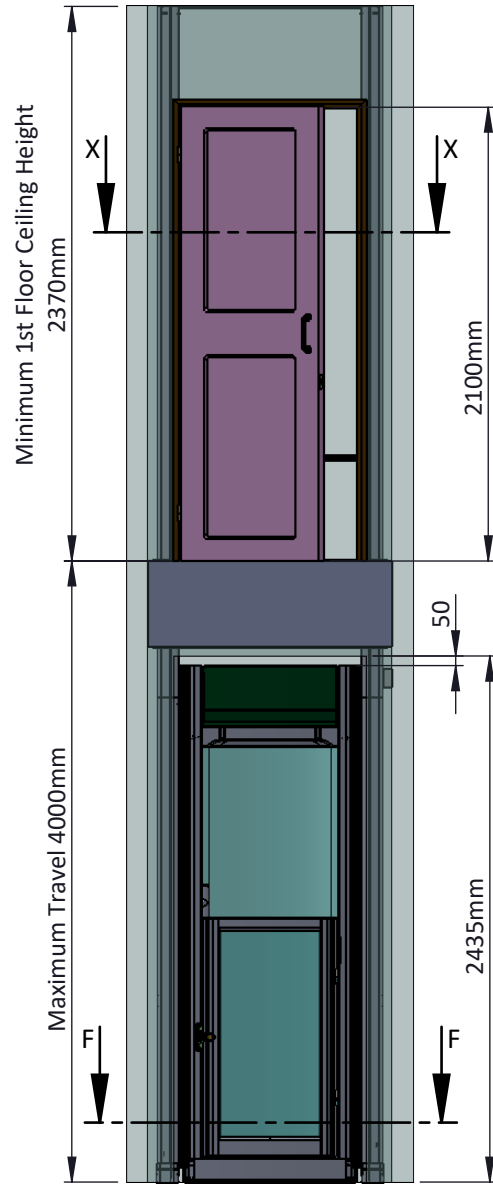
## Bottom Door & Frame removed For Lift Installation



SECTION X-X



SECTION F-F



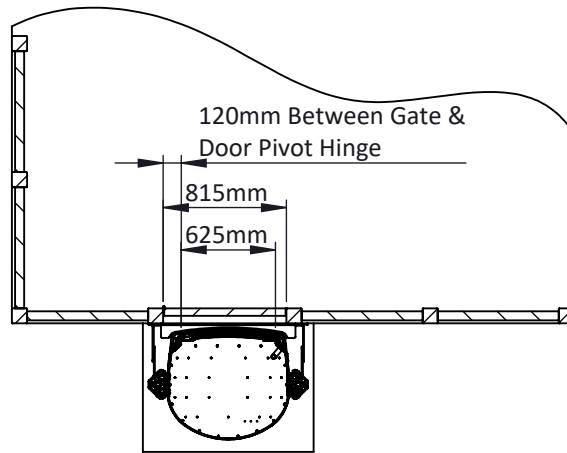
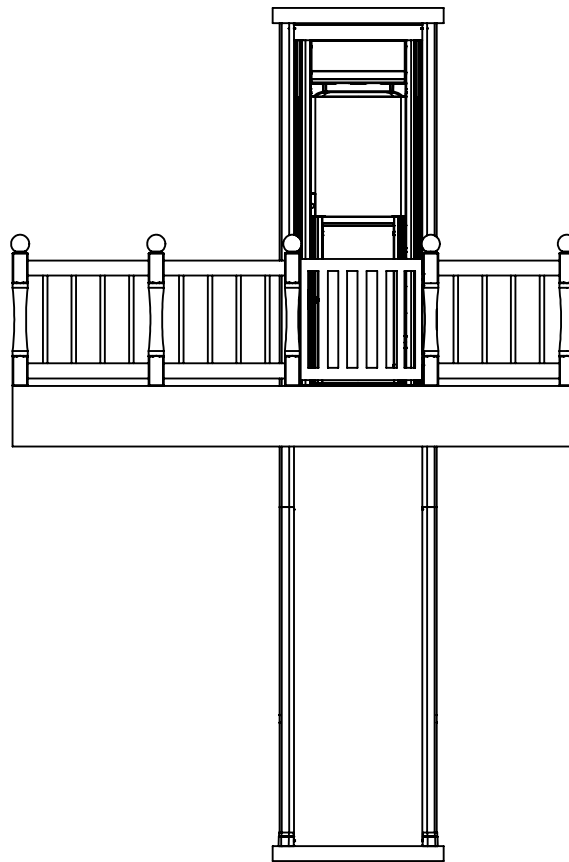
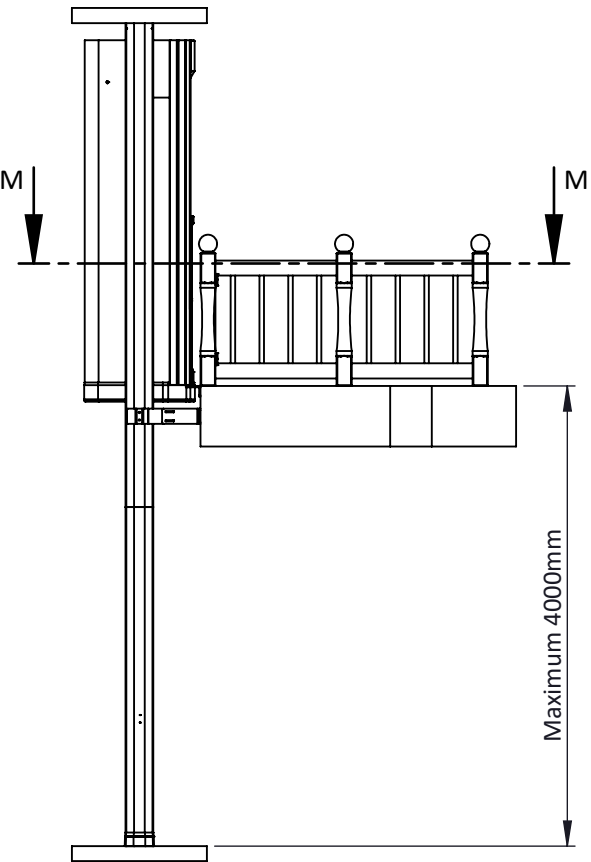
### Shaft Application



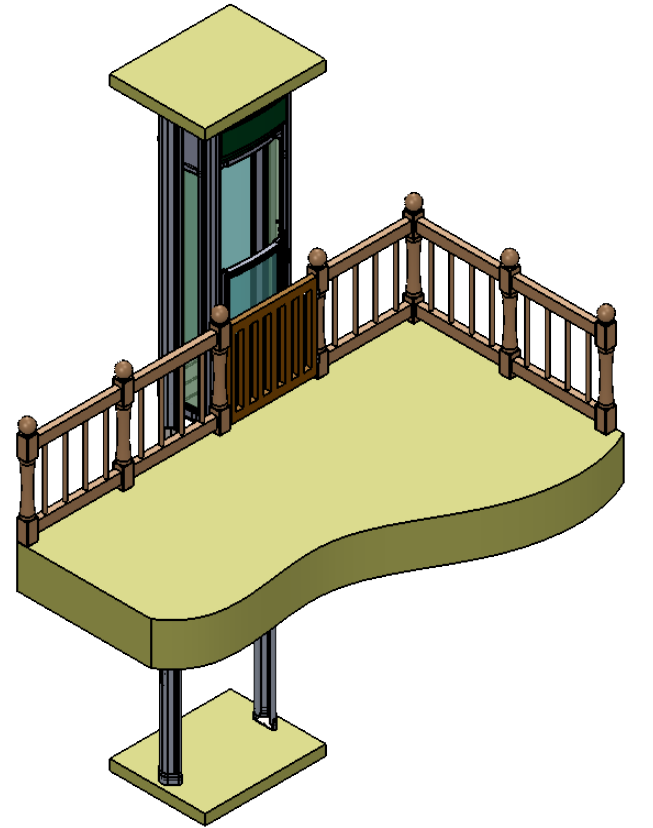
© Stiltz Ltd. 2017		TITLE Lifton Duo Lift Shaft Information	
Drawn JMG	Date 05/2017		
THIRD ANGLE PROJECTION - AS 1100		A4	Dwg No
DIMENSIONS IN MM UNLESS OTHERWISE NOTED		SCALE:	Rev 1

PRINT MAY BE REDUCED - DO NOT SCALE.

Rev	Description	Rev Date	Rev By
1	Redrawn in SW	05/2017	JMG



SECTION M-M



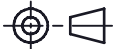
Door & Gate Close



Lifton Duo

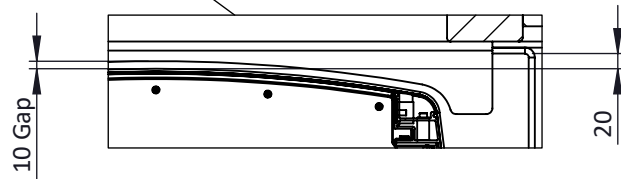
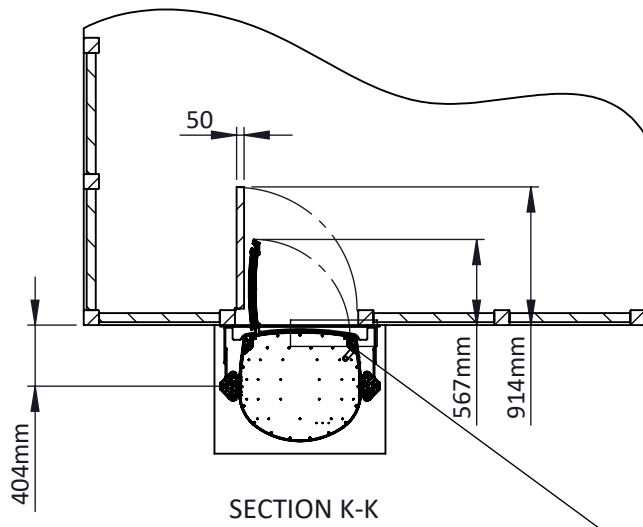
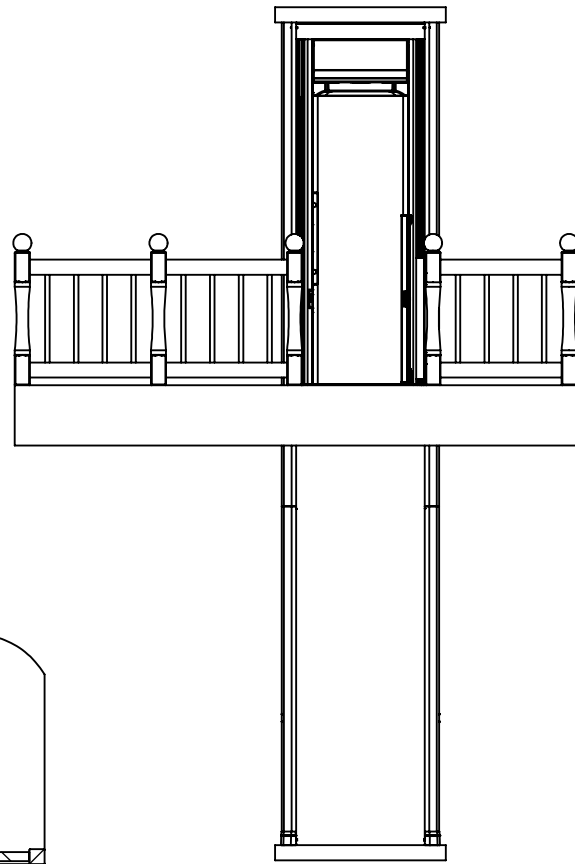
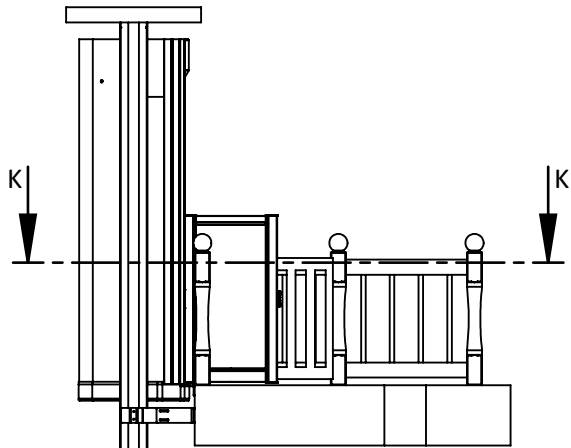


LIFTON

©	Stiltz Ltd.	2017
Drawn	JMG	Date 05/2017
 DIMENSIONS IN MM UNLESS OTHERWISE NOTED THIRD ANGLE PROJECTION - AS 1100		

TITLE		Lifton Duo Lift Void Application
A4		
Dwg No	Rev	1
SCALE:		

Rev	Description	Rev Date	Rev By
1	Redrawn in SW	05/2017	JMG



**Door & Gate Open**



**Lifton Duo**

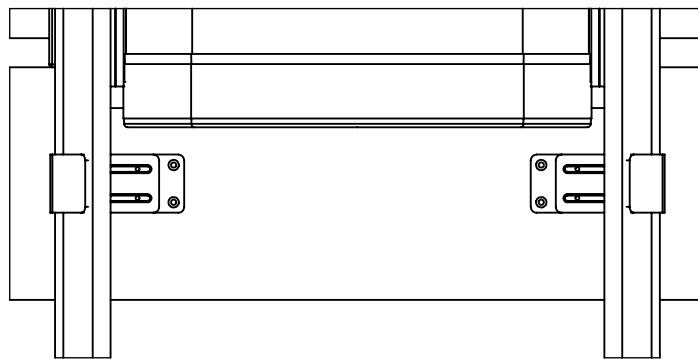
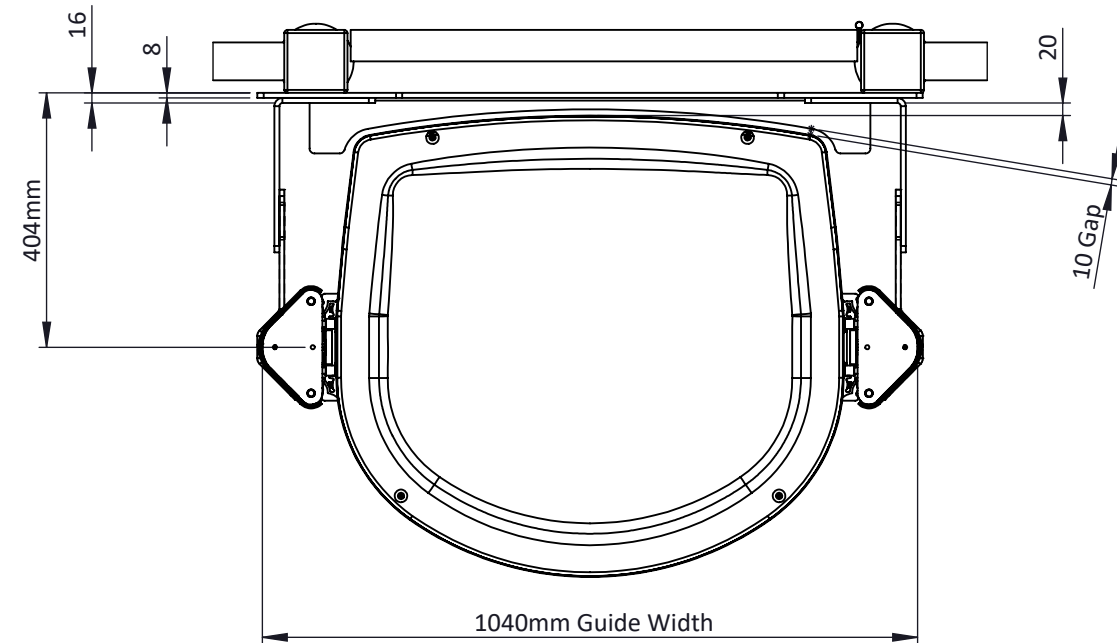
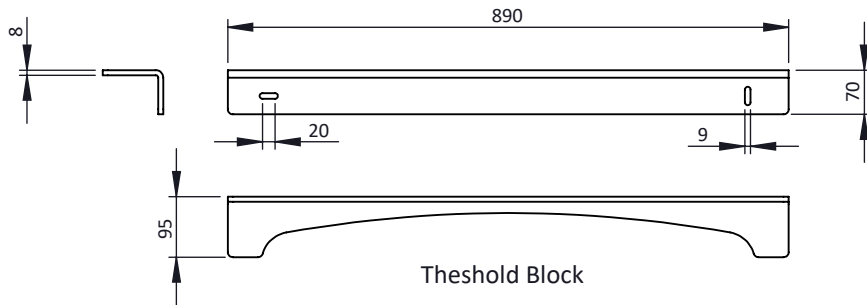
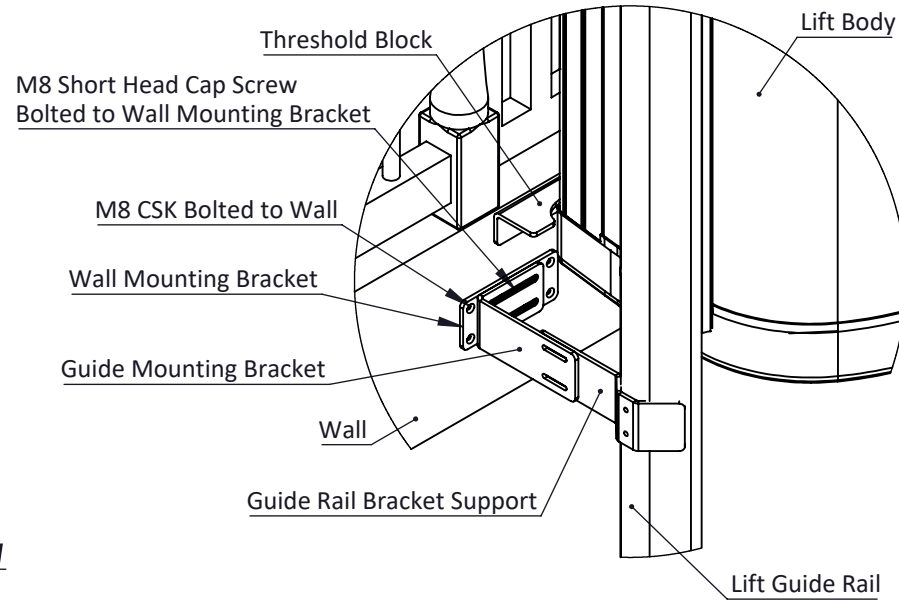
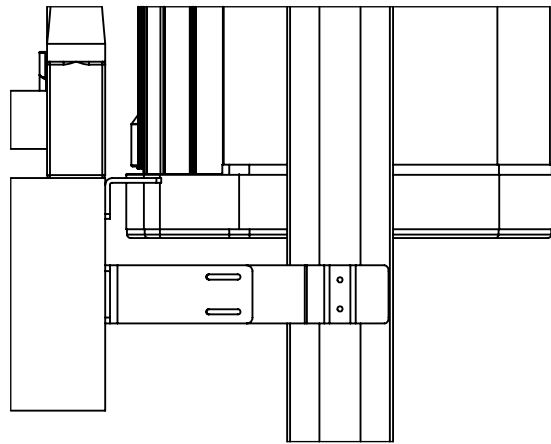


**LIFTON**

© Stiltz Ltd. 2017		TITLE Lifton Duo Lift Void Application	
Drawn JMG	Date 05/2017		
 DIMENSIONS IN MM UNLESS OTHERWISE NOTED THIRD ANGLE PROJECTION - AS 1100		<b>A4</b>	Dwg No
		SCALE:	Rev 1



Rev	Description	Rev Date	Rev By
1	Redrawn in SW	05/2017	JMG



Lifton Duo



LIFTON

©	Stiltz Ltd.	2017	TITLE	Lifton Duo Lift Void Bolting Arrangement	
Drawn	JMG	Date	05/2017	Dwg No	Rev
THIRD ANGLE PROJECTION - AS 1100			A4		1
DIMENSIONS IN MM UNLESS OTHERWISE NOTED			SCALE:		

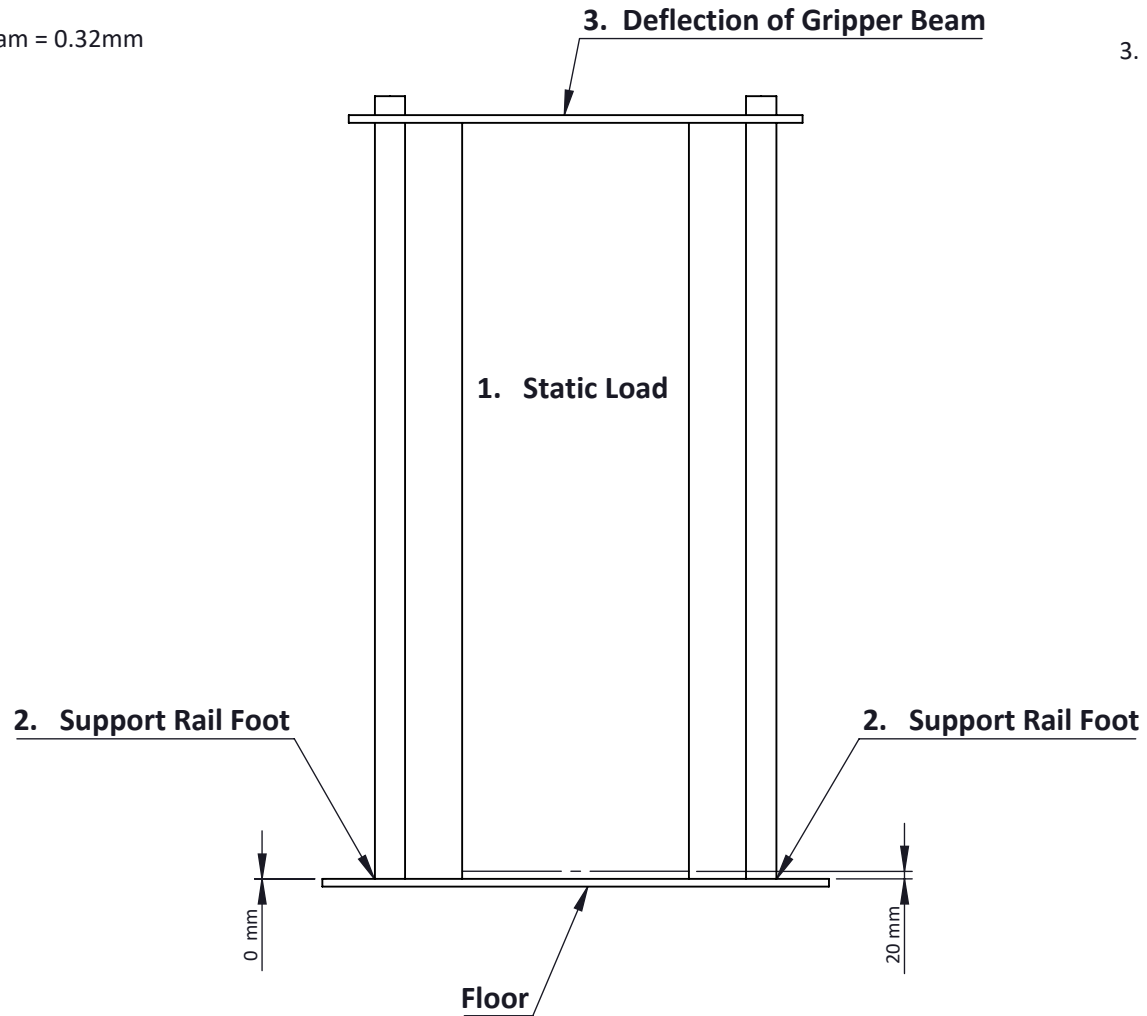
Rev	Description	Rev Date	Rev By
1	Redrawn in SW	05/2017	JMG

## Before Emergency Button

1. Static Load = 357.4 Kg (Lift 187 Kg + 2 persons 170 Kg + Additional Load on Floor 0.4 Kg)
2. Support Each Rail Foot = 178.7 Kg
3. Deflection of Gripper Beam = 0.32mm

## After Emergency Button

1. Static Load = 364.6 Kg (Lift 187 Kg + 2 persons 170 Kg + Additional Load 20mm above Floor 7.6 Kg)
2. Support Each Rail Foot = 182.3 Kg
3. Deflection of Gripper Beam = 0.33mm



Lifton Duo



LIFTON

©	Stiltz Ltd.	2017	TITLE	Lifton Duo Lift Static Calculation	
Drawn	JMG	Date	05/2017	Dwg No	Rev
THIRD ANGLE PROJECTION - AS 1100			<b>A4</b>		